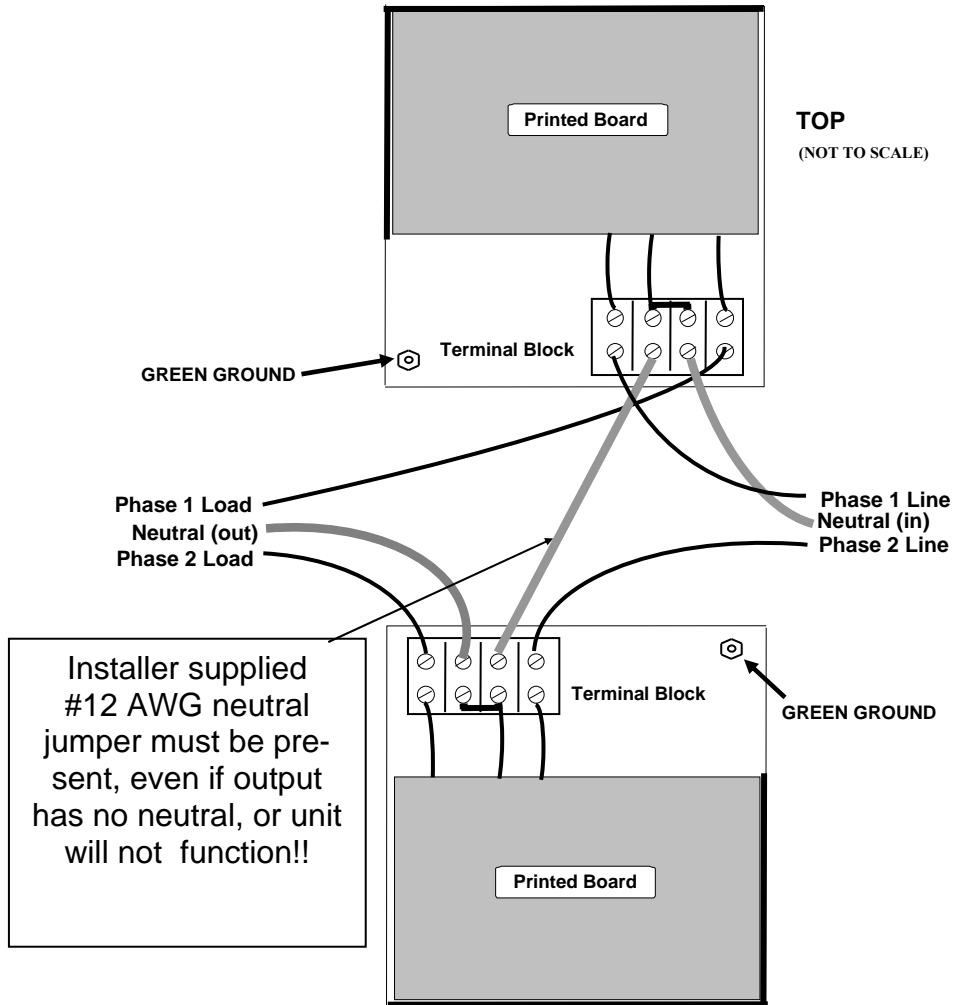


Wiring Diagram for dual module 240/208 Wiring

Line (input) wiring must have double pole
20 Amp branch protection

See page 3 for 120V wiring



FF1-W Series Facility Filters (Euro-connectors)



FF1-20W-240UB



FF1-100W-120B

Operating Instructions

Models:

FF1-20W-240UB (#002-03073)

FF1-100W-120B (#002-03078)

The FF1-20W-240UB is a dual module unit designed for either dual 120V AC or single 240/208 dedicated 20 Amp circuits. The 240/208 Volt wiring requires the following branch circuit wiring to be available:

- Phase 1 (Line 1)
- Phase 2 (Line 2)
- Common neutral
- Safety Ground

Where 120V AC is measured between Line 1 and neutral, 120V AC is measured between Line 2 and neutral, and 240V AC is measured between Line 1 and Line 2 (or 208 Volts between the line 1 and 2), with a neutral center tap that is at ground potential.

A properly grounded neutral incoming feed is required for proper filtering. The neutral is not required on the load side (Outgoing power) for 240 Volt appliances which do not require a neutral.

The FF1-100W-120B is a 5 module unit that can be wired as 5 120V AC, 20 Amp circuits, or in combination with 240V AC and 120V AC circuits, when wired as with the FF1-20W-240UB above.

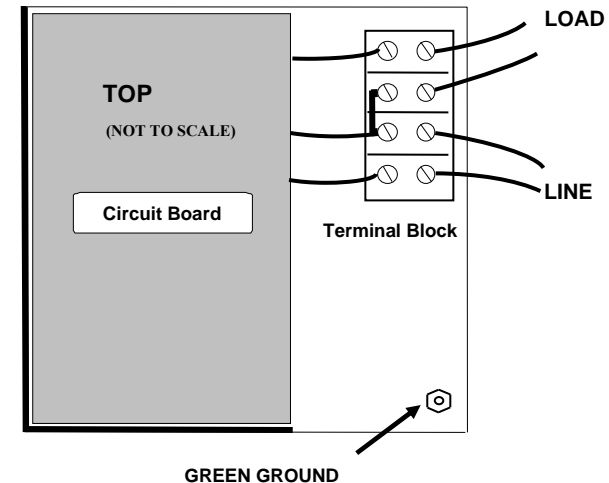
Wiring:

Use a minimum #12 AWG copper wire rated for 600V or greater. Check local electric codes to ensure this standard is applicable in your area.

Within the US, all units should be installed in conformity with the National Electric Code and any other applicable local codes. All international installations should be made in conformance with any applicable national or local codes for that region. In any event, a properly earthed neutral is required.

Sample Module Wiring Diagram

Line (input) wiring must have single pole
20 Amp branch protection



For dual 120V AC circuits - wire each module to separate circuits as shown in diagram above.

For 240/208 wiring - see diagram on rear page of manual.

Connector Torque Specification:

Min. Torque 0.8 N-m / 7 in-lb

Purchaser is responsible for ensuring unit is installed by a licensed electrician in accordance with all applicable safety certification and electrical code standards.

Zero Surge Inc.
889 State Route 12
Frenchtown, NJ 08825
908-996-7700 • 800-996-6696 • Fax 908-996-7773
email: info@zerosurge.com

We reserve the right to make design and specification changes.
Please visit www.ZeroSurge.com for latest information.
Copyright © 2018 Zero Surge Inc., #131v2