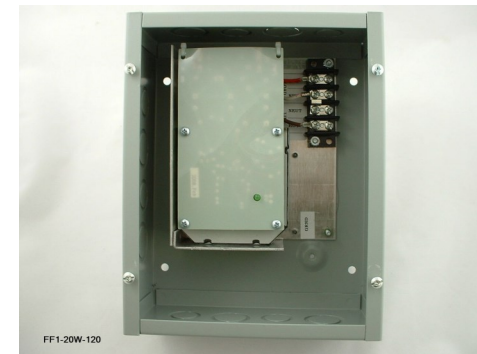




**FF1
WVR NEMA 1 Facility Filter
With Screw Terminal**



FF1-20W-120

**Zero Surge Inc.
889 State Route 12
Frenchtown, NJ 08825
908-996-7700 • 800-996-6696 • Fax 908-996-7773
email: info@zerosurge.com**

We reserve the right to make design and specification changes.
Please visit www.ZeroSurge.com for latest information.
Copyright © 2022 Zero Surge Inc., #105-v7.

Operating Instructions

Model with Screw Terminals

FF1-20W-120 (#002-00072)

This model is designed for use on a dedicated 20 amp 120V AC circuit.

A properly grounded neutral incoming feed is required for proper filtering.

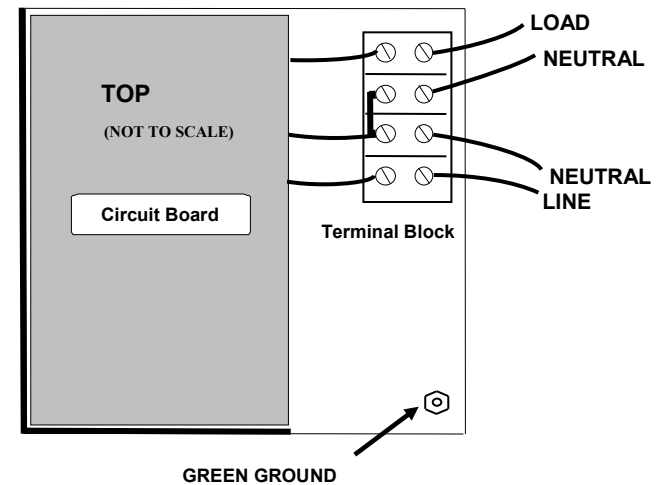
Wiring:

Use a minimum #12 AWG copper wire rated for 600V or greater. Check local electric codes to ensure this standard is applicable in your area.

Within the US, all units should be installed in conformity with the National Electric Code and any other applicable local codes. All international installations should be made in conformance with any applicable national or local codes for that region. In any event, a properly earthed neutral is required.

Wiring Diagram for FF1-20W-120

Line (input) wiring must have single pole
20 amp branch protection



Connector Torque Specification:

Min. Torque 1.6 N-m / 14 in-lb

Purchaser is responsible for ensuring unit is installed by a licensed electrician in accordance with all applicable safety certification and electrical code standards.