

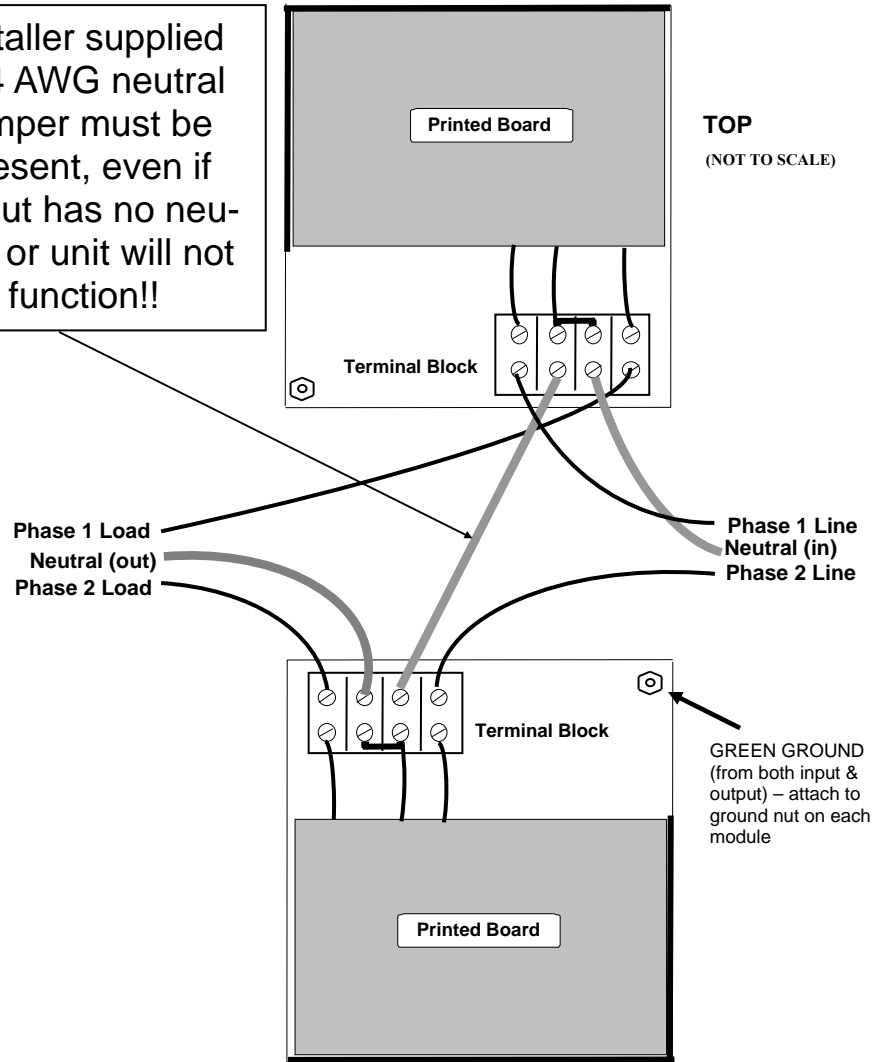
# Wiring Diagram FF4-20W-240U

## 240/208 wiring

Line (input) wiring must have double pole  
20 Amp branch protection

See page 3 for 120V wiring

Installer supplied  
#14 AWG neutral  
jumper must be  
present, even if  
output has no neu-  
tral, or unit will not  
function!!



### FF4-20W Series WVR NEMA 4 Facility Filters

FF4-20W-120



FF4-20W-240U



## Operating Instructions

## Models:

### FF4-20W Series WVR NEMA4 120V AC Single Phase

FF4-20W-120 (#002-00620)

### FF4-20W Series WVR NEMA4 240/208V AC

FF4-20W-240U (# 002-00621)

The FF4-20W-120 is designed for use on a dedicated 20 Amp 120V AC circuit.

The Dual 120V module FF4-20W-240U is designed for either dual 120V AC or single 240/208 dedicated 20 Amp circuits. The 240/208 Volt wiring requires the following branch circuit wiring to be available:

- Phase 1 (Line 1)
- Phase 2 (Line 2)
- Common neutral
- Safety Ground

Where 120 V AC is measured between Line 1 and neutral, 120 V AC is measured between Line 2 and neutral, and 240 V AC is measured between Line 1 and Line 2 (or 208 Volts between the line 1 and 2), with a neutral center tap that is at ground potential.

A properly grounded neutral incoming feed is required for proper filtering. The neutral is not required on the load side (Outgoing power) for 240 Volt appliances which do not require a neutral.

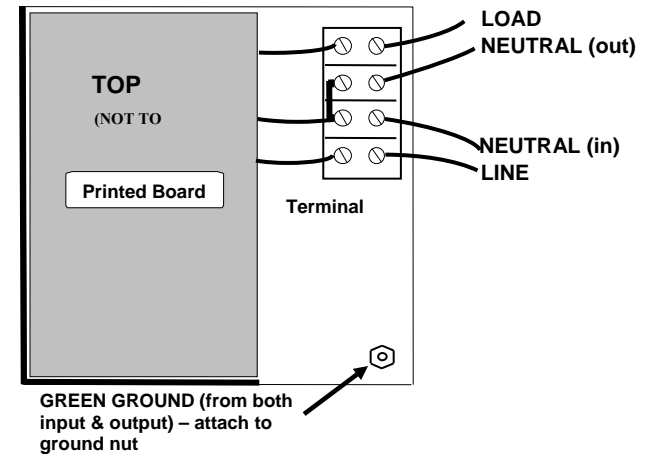
## Wiring:

Use a minimum #12 AWG copper wire rated for 600V or greater. Check local electric codes to ensure this standard is applicable in your area.

Within the US, all units should be installed in conformity with the National Electric Code and any other applicable local codes. All international installations should be made in conformance with any applicable national or local codes for that region. In any event, a properly earthed neutral is required.

## Wiring Diagram for FF4-20W-120

Line (input) wiring must have single pole  
20 Amp branch protection



## FF4-20W-240U Wiring:

**For dual 120V ac circuit -** wire each module to separate circuits as shown in diagram above.

**For 240/208 wiring -** see diagram on rear page of manual.

## Connector Torque Specification:

Min. Torque 1.6 N-m / 14 in-lb

Purchaser is responsible for ensuring unit is installed by a licensed electrician in accordance with all applicable safety certification and electrical code standards.

**Zero Surge Inc.**  
**889 State Route 12**  
**Frenchtown, NJ 08825**  
**908-996-7700 • 800-996-6696 • Fax 908-996-7773**  
**email: [info@zerosurge.com](mailto:info@zerosurge.com)**

We reserve the right to make design and specification changes.  
Please visit [www.ZeroSurge.com](http://www.ZeroSurge.com) for latest information.  
Copyright © 2018 Zero Surge Inc., #115-v3