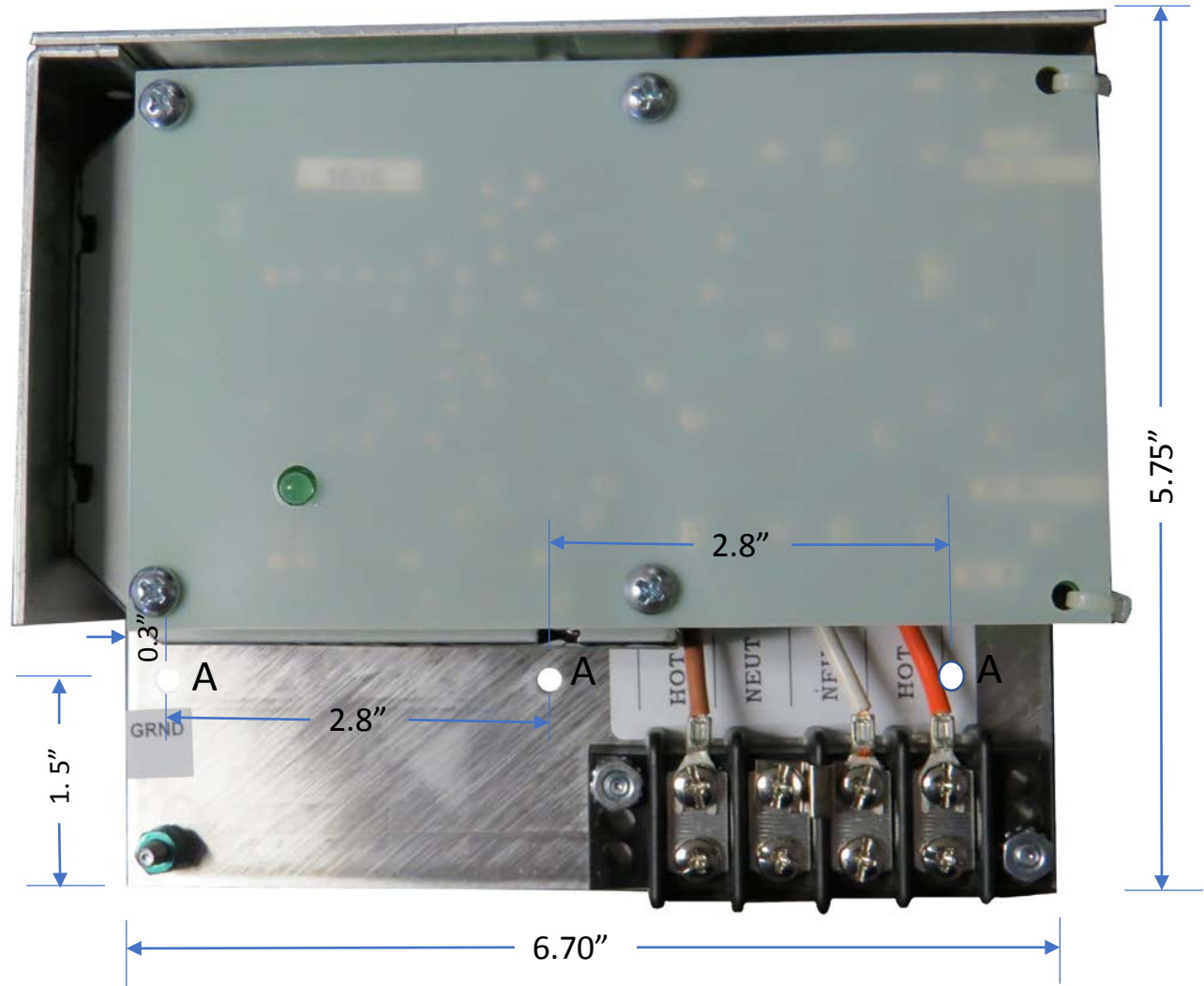
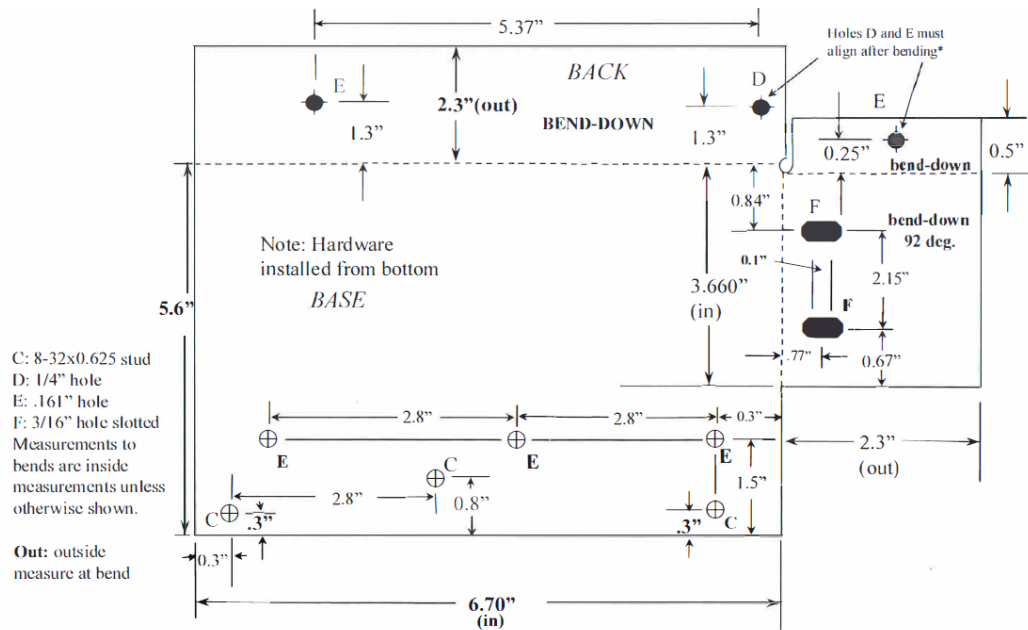


Zero Surge OEM6 Module Dimensions

The dimensions are nominal.



A = 0.161" dia hole (3x) to accommodate a 4mm fastener